



BLIND DESIGNS™
REFLECT YOUR STYLE

www.blinddesigns.co.za

FUNCTION MEETS ELEGANCE

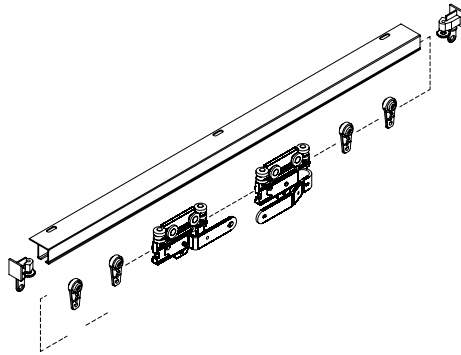



Glide
curtain tracks


Ripple
curtain tracks

CURTAIN TRACKS

Glide Top Fix Hand Drawn



Specification:

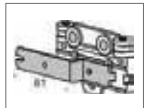
The Blind Designs Glide Top Fix Hand Drawn curtain track is an aluminium track with an extruded lip with pre-drilled holes every 400mm to ensure a quick and neat installation in Top Fix applications. It is available in white or anodised aluminium colours.

An 8 wheel master carrier leads the runners, and can be drawn by hand or wand options. The ball bearing runners have a weight limit of 10kg per meter, and 14 are supplied per meter.

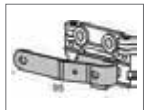
MASTER CARRIERS



Master Carrier Straight Arm LH



Master Carrier Straight Arm RH



Master Carrier Overlap Arm RH

RUNNERS



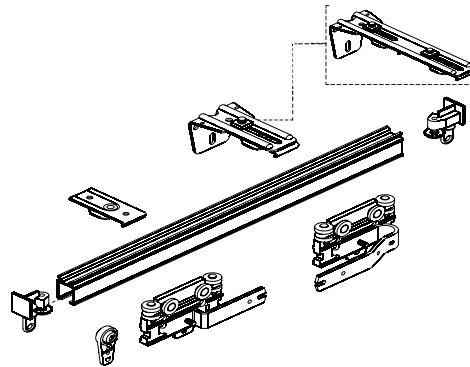
Ball Bearing Runner

WANDS



Perspex 900mm, 1500mm and 1800mm
Aluminium 1500mm

Glide Hand Drawn



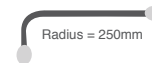
Specification:

The Blind Designs Glide Hand Drawn curtain track is heavy duty white aluminium track with a small neat profile, with steel brackets to suit Top Fix, Face Fix and Double Face Fix installation applications. An 8 wheel master carrier leads the runners, and can be drawn by hand or wand options. The ball bearing runners have a weight limit of 10kg per meter, and 14 are supplied per meter. We offer a variety of track bending options on this particular track.

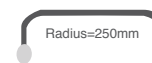
BENDING

Bent tracks available in the below variations, all bends will have 250mm radius.
*Only Hand Drawn and Avant tracks can be bent.

One 90° Bend



Two 90° Bends



Continuous Bend (1 Radius)



One Custom Angle Bend



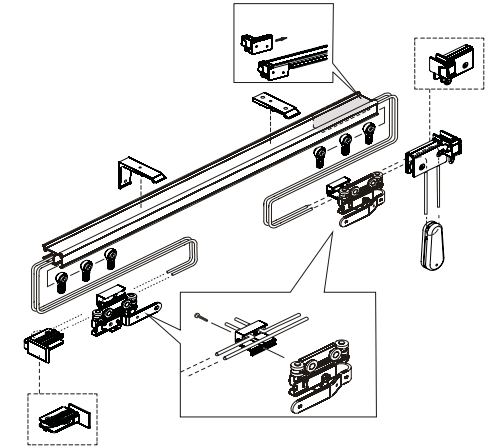
Two Custom Angle Bends



Continuous Bend (Variable Radius)



Glide Cord Drawn



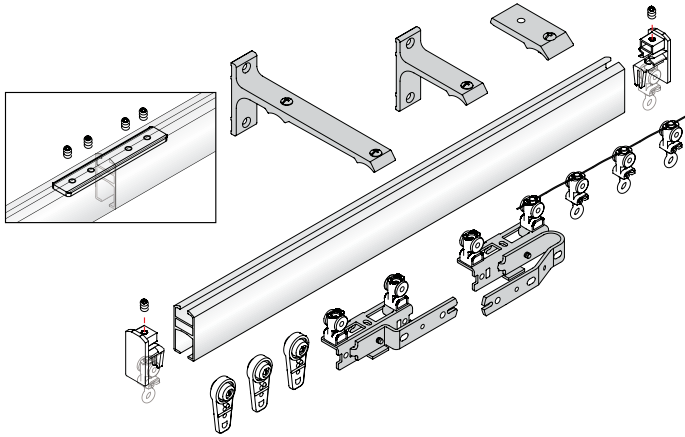
Specification:

The Blind Designs Glide Cord Drawn track is a heavy duty white aluminium track, with white aluminium brackets to suit Top Fix and Single Face Fix installation applications. Operation is by a 4mm white cord which sits in a separate channel to the runners so as not to interfere with the operation. The cord extends out of the track on either left or right side, and is tensioned by an option of a pulley tensioner or a hanging weight.

FEATURES:

- Blind Designs Glide Curtain Tracks are heavy duty, suitable for wide curtains and heavier weight curtain fabric. The advised weight limit for the fabric is 10kg per meter.
- The tracks are supplied as standard with 8 wheeled master carriers. The Master Carrier ensures maximum drive stability and the arms can be configured to suit a variety of applications and curtain stacking options (straight and overlap for centre split, straight arm for a left or right stack)
- The runner is a wheeled smooth running ball bearing runner, 14 are supplied per meter as standard.
- Wands are available to operate the tracks. Clear Perspex wands, 12mm thick are available in 900mm, 1500mm and 1800mm lengths. An Aluminium wand option is available in a 1500mm length.

Glide Avant Curtain Track

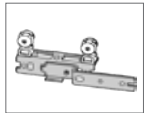


Specification:

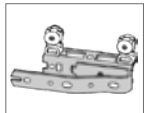
The Blind Designs Glide Avant curtain track has been designed to be exposed, featuring a variety of colours and a flat fronted, rectangular profile. Aluminium colour coded brackets are available to suit Top Fix, Face Fix and Double Face Fix installation applications.

A master carrier leads the runners, and can be drawn by hand or wand options. The ball bearing runners have a weight limit of 10kg per meter, and 14 are supplied per meter. We offer a variety of track bending options on this particular track.

MASTER CARRIERS



Master Carrier
Straight Arm LH



Master Carrier
Overlap Arm RH

RUNNERS



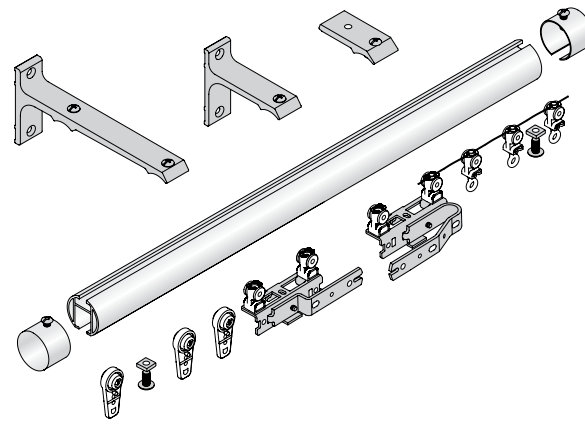
Ball Bearing Runner

WANDS



Perspex 900mm, 1500mm and
1800mm
Aluminium 1500mm

Glide Urban Curtain Track



Specification:

The Blind Designs Glide Urban curtain track has been designed to be exposed, featuring a variety of colours supplied in a round profile. Aluminium colour coded brackets are available to suit Top Fix, Face Fix and Double Face Fix installation applications.

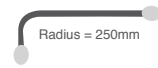
A master carrier leads the runners, and can be drawn by hand or wand options. The ball bearing runners have a weight limit of 10kg per meter, and 14 are supplied per meter.

BENDING

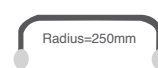
Bent tracks available in the below variations, all bends will have 250mm radius.

*Only Hand Drawn and Avant tracks can be bent.

One 90° Bend



Two 90° Bends



Continuous Bend
(1 Radius)



One Custom Angle Bend



Two Custom Angle Bends



Continuous Bend
(Variable Radius)



TRACK COLOUR OPTIONS



Anthracite



Champagne



Silver

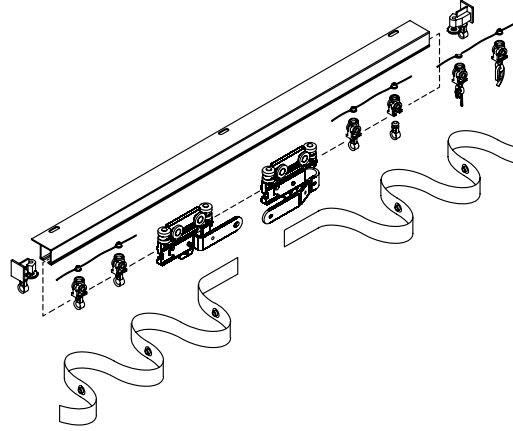


White

FEATURES:

- Blind Designs Glide Avant and Urban Tracks are designed with aesthetics in mind, and intended to be installed in exposed applications where the track itself is a feature and compliments the fabric of the curtain or the décor of the setting it is installed in. These tracks are regarded as heavy duty, suitable for wide curtains and heavier weight curtain fabric. The advised weight limit for the fabric is 10kg per meter.
- These tracks are available in Silver, Anthracite, Champagne and White, with coloured coded brackets to suit Top Fix, Face Fix and Double Face Fix installation applications.
- The tracks are supplied as standard with master carriers and 14 x wheeled smooth running ball bearing runners per meter. The Master Carrier ensures maximum drive stability and the arms can be configured to suit a variety of applications and curtain stacking options (straight and overlap for centre split, straight arm for a left or right stack)
- Wands are available to operate the tracks. Clear Perspex wands, 12mm thick are available in 900mm, 1500mm and 1800mm lengths. An Aluminium wand option is available in a 1500mm length.

Ripple Top Fix Hand Drawn

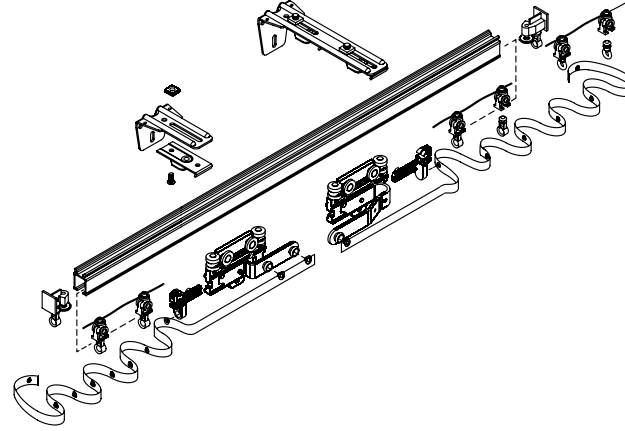


Specification:

The Blind Designs Ripple Top Fix Hand Drawn curtain track is an aluminium track with an extruded lip with pre-drilled holes every 400mm to ensure a quick and neat installation in Top Fix applications. It is available in white or anodised aluminium colours.

An 8 wheel master carrier leads the runners, and can be drawn by hand or wand options. Runners are strung together to maintain a consistent ripple effect and are available in different fullness options as well as different ripple tape options.

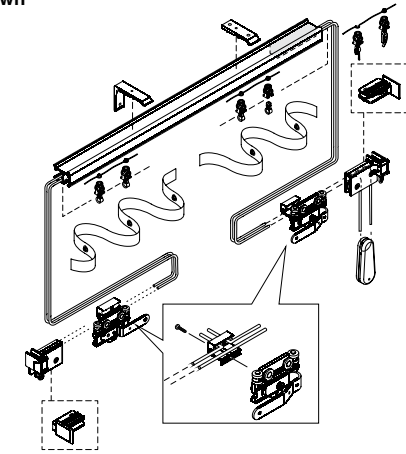
Ripple Hand Drawn



Specification:

The Blind Designs Ripple Hand Drawn curtain track is a heavy duty white aluminium track with a small neat profile. Supplied with steel brackets to suit Top Fix, Face Fix and Double Face Fix installation applications. A master carrier leads the runners, and can be drawn by hand or wand options. Runners are strung together to maintain a consistent ripple effect and are available in different fullness options as well as different ripple tape options. We offer a variety of track bending options on this particular track.

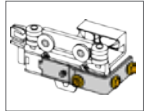
Ripple Cord Drawn



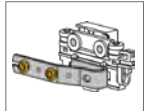
Specification:

The Blind Designs Glide Cord Drawn track is a heavy duty white aluminium track, with white aluminium brackets to suit Top Fix and Single Face Fix installation applications. Operation is by a 4mm white cord which sits in a separate channel to the runners so as not to interfere with the operation. The cord extends out of the track on either left or right side, and is tensioned by an option of a pulley tensioner or a hanging weight. A master carrier leads the strung ripple runners. Runners are strung together to maintain a consistent ripple effect and are available in different fullness options as well as different ripple tape options.

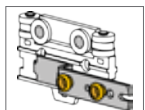
MASTER CARRIERS



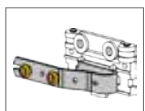
Master Carrier LH
(Cord Drawn – Butt arm)



Master Carrier RH
(Cord Drawn – overlap arm)

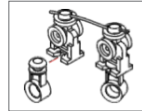


Master Carrier – LH Straight Arm

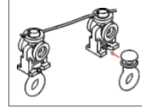


Master Carrier – RH Overlap Arm

RUNNERS



Snap pendant, used with press stud curtain tape



Hook Pendant, used with hook tape.

WANDS



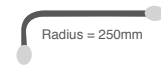
Perspex 900mm, 1500mm and 1800mm
Aluminium 1500mm

BENDING

Bent tracks available in the below variations, all bends will have 250mm radius.

*Only Hand Drawn and Avant tracks can be bent.

One 90° Bend



Two 90° Bends



Continuous Bend
(1 Radius)



One Custom Angle Bend



Two Custom Angle Bends



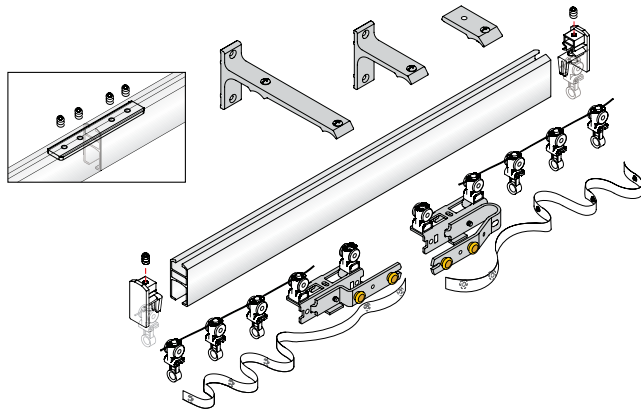
Continuous Bend
(Variable Radius)



FEATURES:

- Blind Designs Ripple Curtain Tracks are heavy duty, suitable for wide curtains and heavier weight curtain fabric. The advised weight limit for the fabric is 10kg per meter.
- The tracks are supplied as standard with 8 wheeled master carriers. The Master Carrier ensures maximum drive stability and the arms can be configured to suite a variety of applications and curtain stacking options (Butt arms for centre split, straight arm for a left or right stack)
- Runners are strung together to create a consistent Ripple effect.
- Different fabric fullness options are available, 100%, 80%, 60% & 40%
- Options of Press stud tape, or hook tape
- Wands are available to operate the tracks. Clear Perspex wands, 12mm thick are available in 900mm, 1500mm and 1800mm lengths. An Aluminium wand option is available in a 1500mm length.

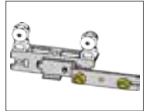
Ripple Avant Curtain Track



Specification:

The Blind Designs Ripple Avant curtain track has been designed to be exposed, featuring a variety of colours and a flat fronted, rectangular profile. Aluminium colour coded brackets are available to suit Top Fix, Face Fix and Double Face Fix installation applications. A master carrier leads the runners, which are strung together to maintain the consistent ripple effect. The runners are available in different fullness options, as well as different ripple tape options. We offer a variety of track bending options on this particular track.

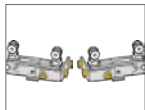
MASTER CARRIERS



Ripple LH Straight Arm

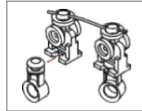


Ripple RH Overlap Arm

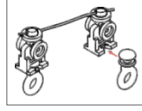


Ripple LH & RH Butt arm kit

RUNNERS



Snap pendant, used with press stud curtain tape



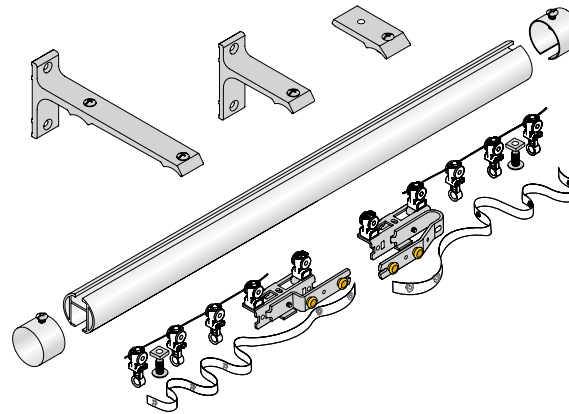
Hook Pendant, used with hook tape.

WANDS



Perspex 900mm, 1500mm and 1800mm
Aluminium 1500mm

Ripple Urban Curtain Track



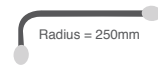
Specification:

The Blind Designs Ripple Urban curtain track has been designed to be exposed, featuring a variety of colours supplied in a round profile. Aluminium colour coded brackets are available to suit Top Fix, Face Fix and Double Face Fix installation applications. A master carrier leads the runners, which are strung together to maintain the consistent ripple effect. The runners are available in different fullness options, as well as different ripple tape options.

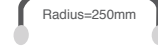
BENDING

Bent tracks available in the below variations, all bends will have 250mm radius.
*only Hand Drawn and Avant tracks can be bent.

One 90° Bend



Two 90° Bends



Continuous Bend
(1 Radius)



One Custom Angle Bend



Two Custom Angle Bends



Continuous Bend
(Variable Radius)



TRACK COLOUR OPTIONS



Anthracite



Champagne



Silver



White

FEATURES:

Blind Designs Glide Avant and Urban Tracks are designed with aesthetics in mind, and intended to be installed in exposed applications where the track itself is a feature and complements the fabric of the curtain or the décor of the setting it is installed in. These tracks are regarded as heavy duty, suitable for wide curtains and heavier weight curtain fabric. The advised weight limit for the fabric is 10kg per meter

- The tracks are supplied as standard with Master Carriers which ensures maximum drive stability and the arms can be configured to suite a variety of applications and curtain stacking options (Butt arms for centre split, straight arm for a left or right stack)
- Runners are strung together to create a consistent Ripple effect.
- Different fabric fullness options are available, 100%, 80%, 60% & 40%
- Options of Press stud tape, or hook tape
- Wands are available to operate the tracks. Clear Perspex wands, 12mm thick are available in 900mm, 1500mm and 1800mm lengths. An Aluminium wand option is available in a 1500mm length.



Specification:

Blind Designs Motion Motorised track is available as a heavy duty track, controlled by a 60kg capacity 220v motor. Brackets are available to suit Top Fix, Face Fix or Double Face Fix installation applications.

The track is available in both GLIDE and RIPPLE options. The Ripple Runners are available in a variety of fullness options. You can choose between the press stud and snap tape or hook tape options. The master carrier is driven by a low friction rubber belt, and different arms are available for the master carrier to suit your application.

FEATURES:

- Heavy duty design
- A variety of runner and installation configurations to choose from
- Built in receiver with a variety of remote controller options available
- Compatible with various home automation systems
- Can stop at any point with the remote, or else motor stops when it meets resistance
- Gently pull the curtain to start the motor running if the remote is not accessible
- Curtains can be operated by hand when the power is off

MOTORISED CURTAIN TRACK



Curtain Motor



Top Fix Bracket



Face Fix Bracket



Rubber Belt



Remote

Outline

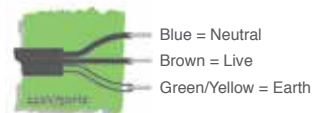


Inner Structure Picture



Tubular Motor Nameplate

DT **52** **EN -** **75** **/ 20**
 DOOYA Demension Electronic Rated Open/Close
 Curtain Code Radio Torque (W) Speed
 Motor



Technical Data

220V / 60 Hz

DT52EN
 Electronic Radio

DT52EN-75/20

| | Safety Curtain Weight (Kg) | Rated torque (W) | Open/Close Speed (cm/sec) | Rated Current (A) | Running Time (min) | Degree of Protection (IP) | Max Number of Turns (Turn) | Track Length (m) | Weight (kg) |
|--|----------------------------|------------------|---------------------------|-------------------|--------------------|---------------------------|----------------------------|------------------|-------------|
| | 60 | 75 | 20 | 0.34 | 4 | 40 | ∞ | <12 | 1.2 |

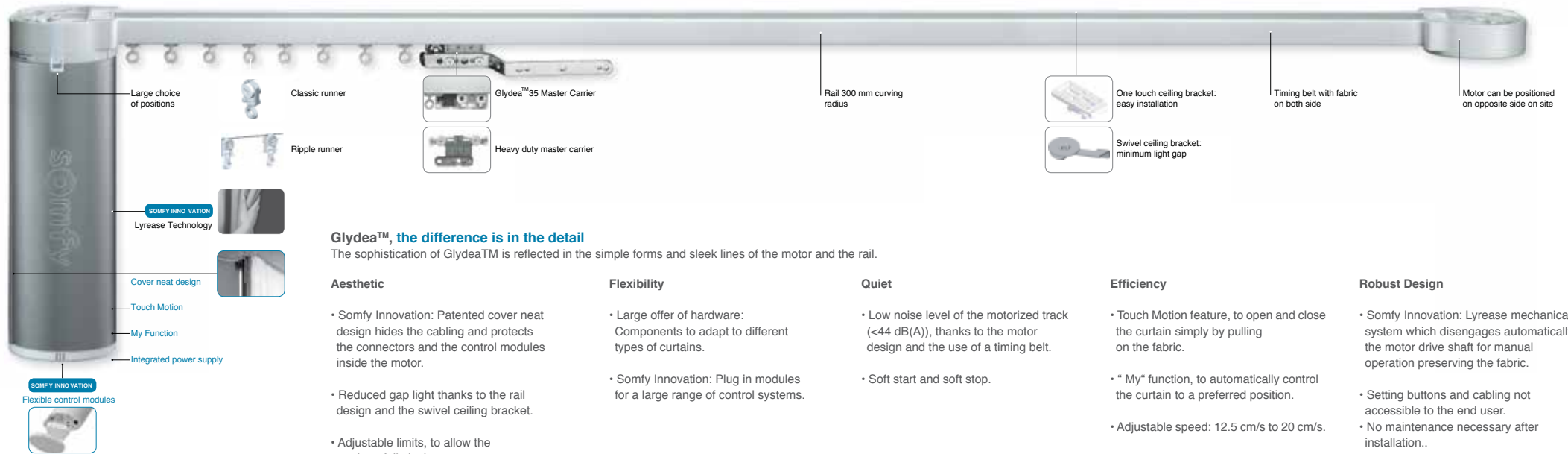
Product Certificate



Motor Head



Motor End



Glydea™, the difference is in the detail

The sophistication of Glydea™ is reflected in the simple forms and sleek lines of the motor and the rail.

Aesthetic

- Somfy Innovation: Patented cover neat design hides the cabling and protects the connectors and the control modules inside the motor.
- Reduced gap light thanks to the rail design and the swivel ceiling bracket.
- Adjustable limits, to allow the curtain to fall nicely.

Flexibility

- Large offer of hardware: Components to adapt to different types of curtains.
- Somfy Innovation: Plug in modules for a large range of control systems.

Quiet

- Low noise level of the motorized track (<44 dB(A)), thanks to the motor design and the use of a timing belt.
- Soft start and soft stop.

Efficiency

- Touch Motion feature, to open and close the curtain simply by pulling on the fabric.
- "My" function, to automatically control the curtain to a preferred position.
- Adjustable speed: 12.5 cm/s to 20 cm/s.

Robust Design

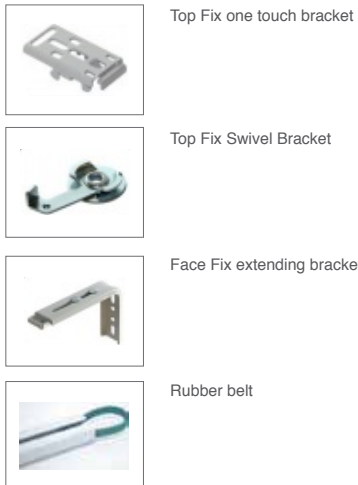
- Somfy Innovation: Lyrease mechanical system which disengages automatically the motor drive shaft for manual operation preserving the fabric.
- Setting buttons and cabling not accessible to the end user.
- No maintenance necessary after installation..

Specification:

Somfy Curtain Tracks are a premium European product available with either 60kg or 35kg 220v motor, or a 45kg rechargeable battery powered motor. Brackets are available to suit Top Fix, Face Fix or Double Face Fix installation applications.

The track is available in both GLIDE and RIPPLE options. The Ripple Runners are available in a variety of fullness options. You can choose between the press stud and snap tape or hook tape options. The master carrier is driven by a low friction rubber belt, and different arms are available for the master carrier to suite your application.

MOTORISED CURTAIN TRACK



Universal

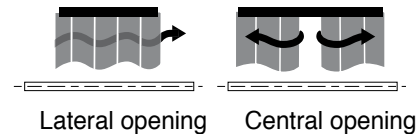
- Rail up to 12 m long.
- Bending radius from 300 mm.
- Large choice of rail shapes.
- Curtain weight up to 60 kg.
- Large range of accessories to adapt to different types of curtains:

Mounting

Standard mounting



Opening



Compatibility



FEATURES:

- Heavy duty, High performance design
- Quiet operation
- Variety of motor options, 35 – 60kg's and 220v power or battery
- Adjustable limits and speed on the Glydea motor
- Variety of Remote control options, as well as integration with home automation
- A variety of runner and installation configurations to choose from
- Curtains can be operated by hand when the power is off
- Somfy tracks can be custom bent, or supplied with 90deg, 45deg or continuous curves.
- 5 year warranty



BLIND DESIGNS™
REFLECT YOUR STYLE

www.blinddesigns.co.za



YOUR APPOINTED DISTRIBUTOR:



80% of all raw material waste is recycled.



A percentage of all profits generated will be distributed to community projects.



This product is designed and assembled in South Africa.