



# BLIND IN A BOX

By Blind Designs

Fitting and operating instructions.



**BLIND DESIGNS™**  
REFLECT YOUR STYLE

# BLIND IN A BOX

## Fitting and operating instructions

---

### COMPONENT LIST:

1. Blind and Pelmet Rod.



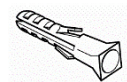
2. Wall Fixing Brackets (min 2, 1 extra for every 800mm)



3. Wall Fixing Screws (2 per wall fixing bracket)



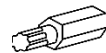
4. Wall Fixing Plugs (2 per wall fixing bracket)



5. Self-Tapping Screw (1 per wall fixing bracket)



6. Torx Bit adapter



**Note**-The Blind In a Box is designed to be fitted to the face of the wall (face fix) of the desired window/opening and not inside the window/opening reveal

# BLIND IN A BOX

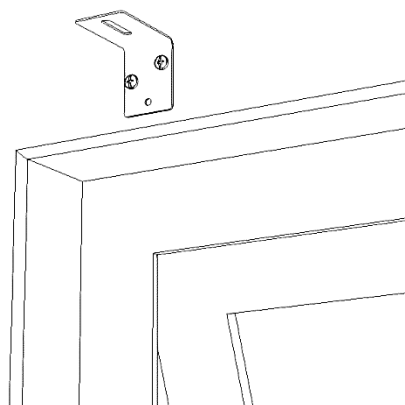
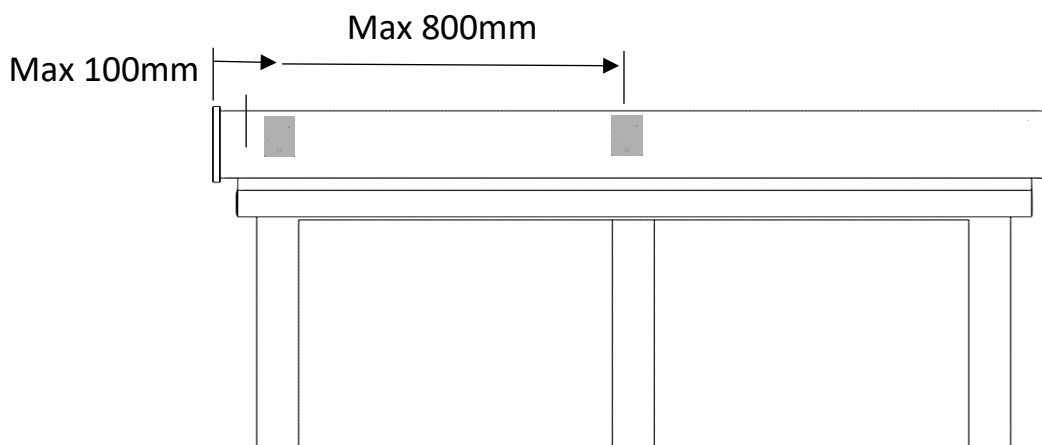
## Fitting and operating instructions

---

### FITTING THE WALL BRACKETS

Carefully unwrap the Blind, corresponding wall brackets and fixing screws.

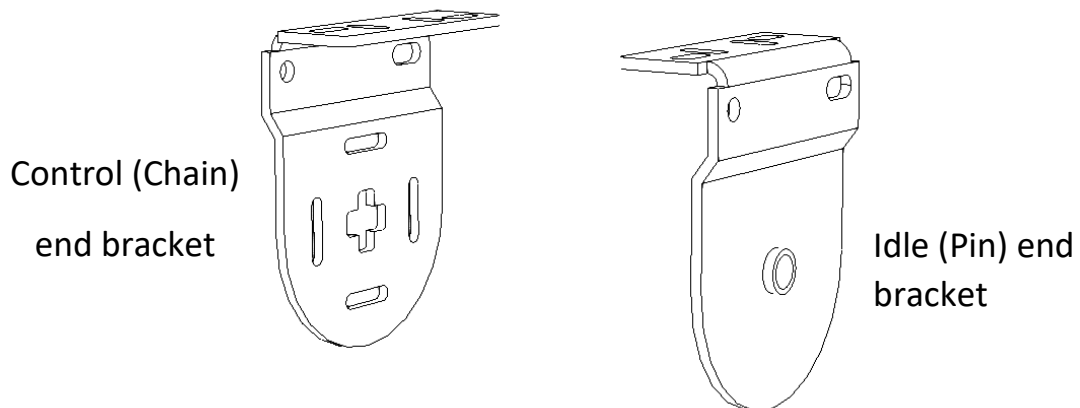
Using a spirit level, mark out the bracket heights and positions you would like to install the blind, keeping the fabric drop in mind (ensure you have enough fabric on the roll to cover the window). The brackets should be installed at a maximum distance of **100mm** from the outer edges of the pelmet rod with a maximum distance of **800mm** between two brackets.



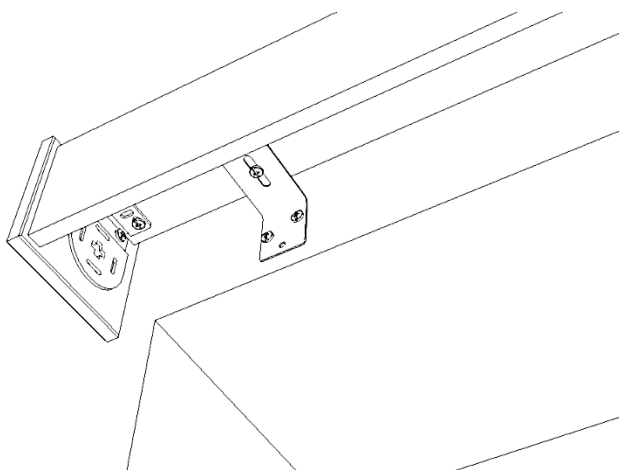
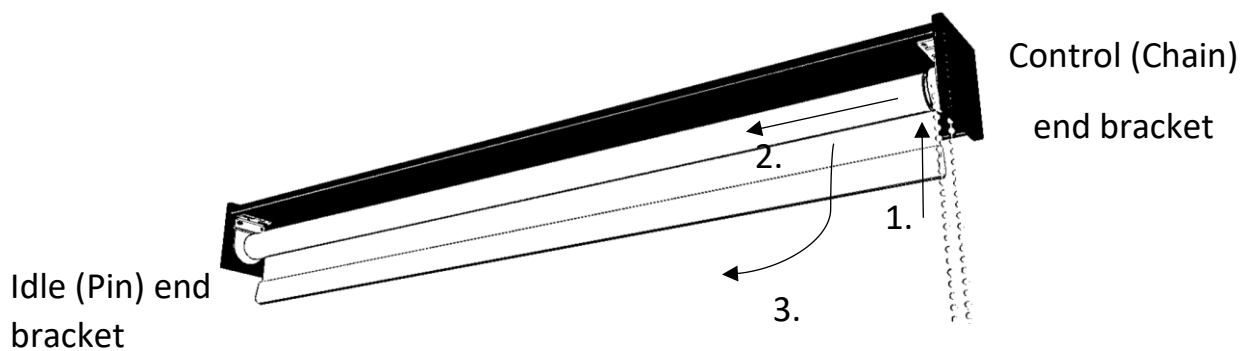
Position the <sup>②</sup>**Bracket** and mark out two holes positions on the wall for each bracket. Drill the holes using a 6mm masonry drill bit then insert the <sup>④</sup>**Wall fixing plugs** and mount the brackets using the <sup>③</sup>**Wall fixing screws**.

## FITTING THE BLIND TO THE WALL BRACKETS

**Note-** the brackets installed in the Blind In a Box pelmet rod are not universal, there is a bracket for the idle (Pin) end and a bracket for the control (Chain) end.



First remove the blind from the Valance by lifting the blind from the control (Chain) end then push it in towards the idle (Pin) end - compressing the idle end spring- this will allow you to clear the control end bracket and swing the blind out.



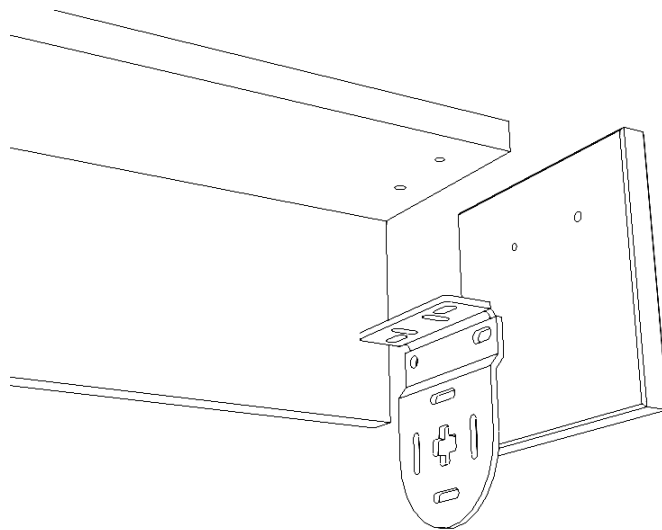
Position the pelmet rod on the ② **Wall Brackets** making sure it is centred over the opening.

Secure the Valance to the brackets using the ⑤ **Self-Tapping screws** supplied. Then Re-install the blind into the pelmet rod.

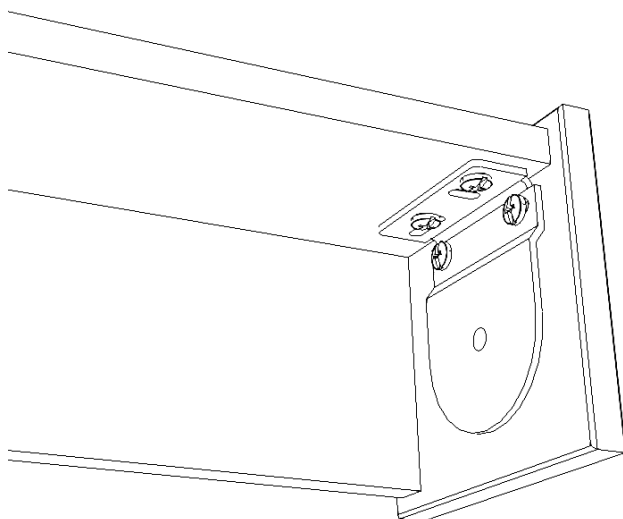
## TROUBLESHOOTING

### CHANGING THE BLIND CONTROL SIDE

As a standard, the Blind in a box is supplied with the control on the left-hand side, meaning you would operate the blind from a chain control on your left-hand side as you face the blind. To change the control side, you will need to remove the brackets and re-install them on the opposite side of the pelmet rod.



Start by removing the screws securing the pelmet rod side cap (finial) to the bracket and remove the side cap (finial), then remove the screws securing the bracket to the top of the pelmet rod - Do this for both the control(chain) and idle(pin) end brackets.



Line up the Bracket on the opposite end of the pelmet rod with the existing holes in the pelmet rod and secure it using the fixing screws you previously removed. Then secure the side cap (finial). Do this for both control and idle end brackets.

## CHANGING THE BLIND CONTROL SIDE

Next remove the Chain control and Pin end from the roller tube and insert them on the opposite end of the roller tube to match the side of brackets in the pelmet rod. Then re-insert the blind into the pelmet rod.

